

Stock Code: **20029LEDDMG-BL/ACR**

Collection: Newport

PRODUCT INFORMATION

Base: 20029 Parent: 20029LEDDMG
Mounting Type: Wall UPC: 641594247855
Finish: Black
Diffuser: Acrylic Lens

PRODUCT MEASUREMENTS

FIXTURE	BACKPLATE / CANOPY
Length:	Length
Width: 5.5"	Width:
Diameter	Diameter:
Height: 5.5"	Height:
Extension: 1.75"	
Overall Height:	

TECHNICAL SPECIFICATIONS

SPECIFICATIONS

Frame Material: N/A
Diffuser Material: N/A
Lamping Type: SSL (Dedicated LED) Jbox: Standard
Lamping Base: SSL Lamp Wattage: 6 W
Lamp Quantity: 2 Total Wattage: 12 W
Voltage: 120v Lamps Included: Yes

QUALIFICATIONS

Location Rating Wet
Certification: ETL (US/Canada) Listed
ADA Compliant: Yes Energy Star: No
JA8 Compliant: Outdoor Only Emergency Lighting: No
Marine Grade Finish: Yes
Warranty: 5 Year

PHOTOMETRICS

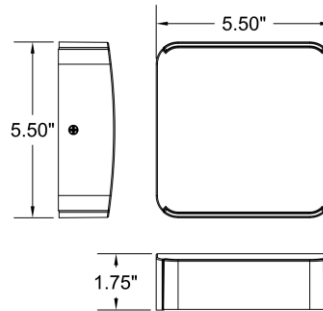
Dimmable: Yes Nominal Lumens 1200 Lm
CRI: 90 Delivered Lumens: N/A
CCT: 3000K
Recommended Dimmers:
(ELV)LUTRON Maestro CL (Package) MACL-153M-RHW;
(ELV)LUTRON Diva DVELV-300P; (TRIAC)LUTRON Toggler TG-600P; (TRIAC)LEVITON Sureslide 6633-P; (TRIAC)LEVITON Trimatron 6684; (MLV)LUTRON Diva DVLV-600P;
(TRIAC)LUTRON Diva DVCI-153P

ADDITIONAL NOTES

Project Name: _____
Location: _____
Type: _____
Quantity: _____
Notes: _____



LINE DRAWING



IES FILE

In addition to Access Lighting's purchase and warranty terms and conditions, by signing below or placing an order, you agree that you are authorized to bind the entity placing any order and acknowledge the following: All of sizes and measurements are approximate and all images are for illustrative purposes only. In the event of an inconsistency, the "Product Measurements" section controls. There also may be slight differences in the colors and designs compared to the displayed and printed images.

Signature: _____

Print Name _____ Date: _____

Toll Free 800-828-5483 www.AccessLighting.com

14410 Myford Road, Irvine, CA 92606

The information is subject to change without notice. 12/22/2022 20029LEDDMG-BL_ACR.pdf

